

It shines wherever large-format paving is required to be installed perfectly. Thanks to the correct tuning and use of Vulkollan compaction rollers you do not have to worry about damaging the paving, whether it is a walking or driving pavement.



Engine

Choice of Honda or Vanguard drive unit.

Central lifting eye

For easy handling with a strap or forklift.

Flip handle

Which makes handling the machine even easier regardless of which side of the machine you are standing on.

Hand brake

Increases safety during transport.

Well-setup exciter

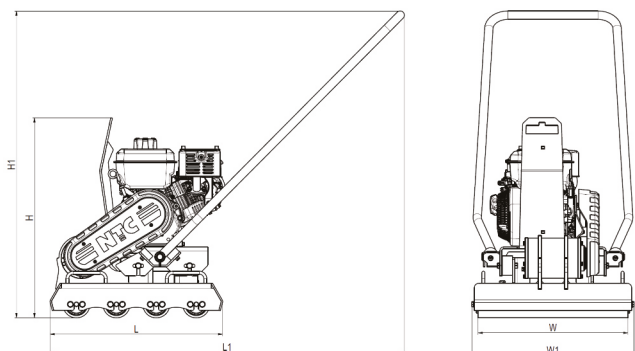
The ratio of the vibrator's power to the weight of the machine guarantees an ideal setting for compacting large-format tiles.

Handling points

4 handling handles around the perimeter of the machine for easy loading and unloading of the machine without the need for a lifting device. It also serves as a clamping point for securing during transport.

Vulkollan rollers

4 vulcolan-coated rollers ensure perfect distribution of the compaction force on the surface and protection of the compacted pavement against damage.



TYPE	Machine dimensions (mm)					
	H	H1	L	L1	W	W1
VDV 10	665	1020	575	1180	500	540

TECHNICAL PARAMETERS

OPERATIONAL PARAMETERS

Operational weight	[kg]	125
Compaction rollers width	[mm]	500
Number of rollers	[ks]	4
Centrifugal force	[kN]	10
Frequncy	[Hz]	100

ENGINE

Maker and type	Honda	GX 160
Fuel	[-]	Petrol
Net power (3600 r./min)	[kW]	3,6
Emission class	[-]	EU Stage V

OPERATIONAL LIQUIDS

Fuel tank capacity (petrol)	[l]	3,1
Engine oil capacity (10W30)	[l]	0,6
Exciter oil capacity (10W30)	[l]	0,07

HYGIENE PARAMETERS

Noise level L _{pA,d}	[dB]	91+4
Noise level L _{WA,G}	[dB]	105
Vibration a _{hvd}	[m/s ²]	8,4+3,4

FEATURES

Vulkollan compaction rollers

Flip handle

Easily disassembled handle

Central lifting eye for easy handling using strap or forklift

Handling points all around the machine

OPTIONAL ACCESSORIES

Hour counter