

Vibratory Roller XD100/120/120VT XD130/140/140VT



EU STAGE V/TIER 4F

XCMG North America Corporation
5145 Schirls Street, Las Vegas, NV 89118
Email: info@xcmgusa.com
Phone: (Las Vegas) 725-605-2777
(Houston) 346-409-2855
Web: www.xcmg-usa.com

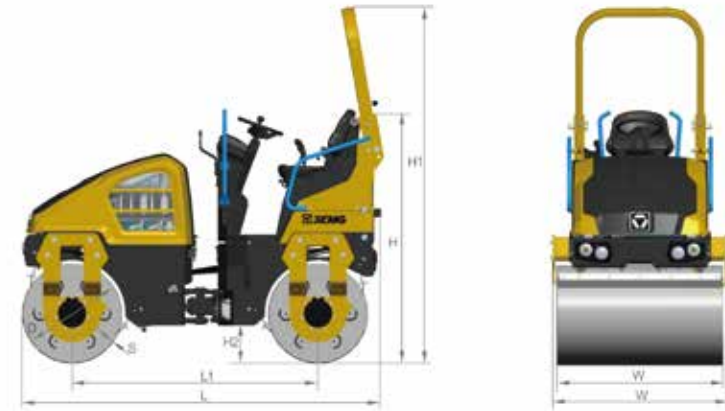


Technical Specification

Item	Content	XD100	XD120	XD120vt
Weights	Operating weight	5842 lb	6283 lb	5842 lb
	Front axle weight	2756 lb	2976 lb	2976 lb
	Rear axle weight	3086 lb	3301 lb	2866 lb
	Average static linear load	132N/cm	118N/cm	/
	Static linear load(front drum)	/	/	110N/cm
Maneuverability	Operating speed	0 ~ 6mile/h	0 ~ 6mile/h	0 ~ 6mile/h
	Theoretical gradesability	30%	30%	30%
	Minimum turning radius(interversion)	102/142in	98/146in	98/146in
	Ground clearance	11in	11in	11in
	Wheel base	70in	70in	70in
	Oscillation angle	±8°	±8°	±8°
	Steering angle	±32°	±32°	±32°
	Braking distance (smooth cement pavement)	<134in	<134in	<134in
Compaction Parameters	Vibration frequency	63/67Hz	63/67Hz	63/67Hz
	Nominal amplitude	0.02in	0.02in	0.02in
	Exciting force	6.77/6kip	8.1/9.2kip	8.1/9.2kip
	Drum diameter	28in	28in	28in
	Drum width	39in	47in	47in
Engine	Model	KUBOTA D1903-CR-ESB	KUBOTA D1803-CR-ESB	KUBOTA D1803-CR-ESB
	Type	Inline 3-cylinder water-cooled type	Inline 3-cylinder water-cooled type	Inline 3-cylinder water-cooled type
	Rated power	33HP	33HP	33HP
	Rated speed	2400r/min	2400r/min	2400r/min

Item	Content	XD130	XD140	XD140VT
Weights	Operating weight	9259 lb	9480 lb	8818 lb
	Front axle weight	4519 lb	4630 lb	4630 lb
	Rear axle weight	4740 lb	4850 lb	4189 lb
	Average static linear load	161N/cm	156N/cm	/
	Static linear load(front drum)	/	/	152N/cm
Maneuverability	Operating speed	0 ~ 7.5mile/h	0 ~ 7.5mile/h	0 ~ 7.5mile/h
	Theoretical gradesability	30%	30%	30%
	Minimum turning radius(interversion)	108/160in	106/161in	106/161in
	Ground clearance	14in	14in	14in
	Wheel base	77in	77in	78in
	Oscillation angle	±8°	±8°	±8°
	Steering angle	±32°	±32°	±32°
	Braking distance (smooth cement pavement)	<134in	<134in	<134in
Compaction Parameters	Vibration frequency	53/60Hz	53/60Hz	53/60Hz
	Nominal amplitude	0.02in	0.02in	0.02in
	Exciting force	9.4/11.9kip	9.4/11.9kip	9.4/11.9kip
	Drum diameter	36in	36in	36in
	Drum width	51in	54in	54in
Engine	Model	KUBOTA V2403-CR-ESB	KUBOTA V2403-CR-ESB	KUBOTA V2403-CR-ESB
	Type	Inline 4-cylinder water-cooled type	Inline 4-cylinder water-cooled type	Inline 4-cylinder water-cooled type
	Rated power	45.1HP	45.1HP	45.1HP
	Rated speed	2400r/min	2400r/min	2400r/min

Overall dimension



Dimensions (in)	L	L1	W	W1	H	H1	H2	S	D
XD100	103	70	43	39	73	101	11	0.5	28
XD120	103	70	51	47	73	101	11	0.5	28
XD130	115	77	56	51	78	116	14	0.6	28
XD140	115	77	60	54	78	116	14	0.6	28



Dimensions (in)	L	L1	W	W1	H	H1	H2	S	D	D1
XD120VT	103	70	51	47	73	101	11	0.5	28	26
XD140VT	115	78	60	54	78	116	14	0.6	28	32