



SOLID
TO SUCCEED

TELESCOPIC BOOM LIFT

XGS32K



The print does not belong to the contract, nor a part of the vehicle purchase contract. We reserve the right to revise the product model, parameters, configuration based on the continuous improvement requirements of the product, without prior notice. Pictures are for reference only, and the specific product shall depend on the real product.

XGS32K

Telescopic boom lift

FEATURES

MEASUREMENTS

32.6m working height
Up to 300/460kg lift capacity

PRODUCTIVITY

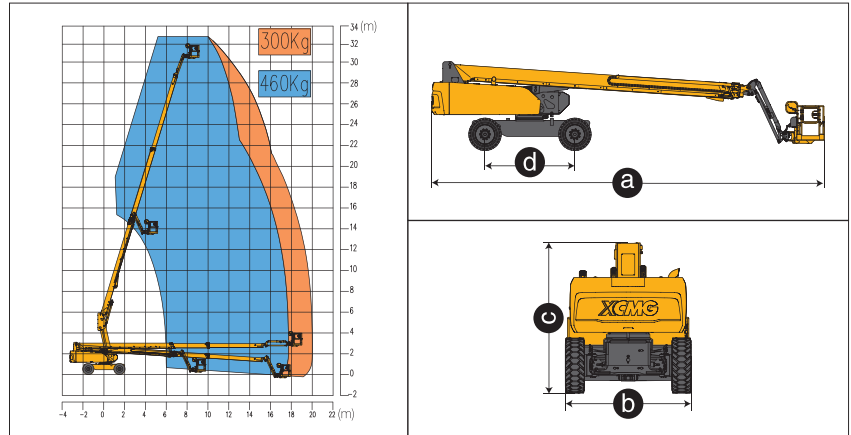
2.4m × 0.9m working platform
4 driving wheels
2 steering wheels
4 wheel brake system
45% theoretical gradeability
360° turntable rotation
Axle balance system
Lift and lower alarm
Platform automatic leveling system
Proportional handle control
Drive alarm
Hourmeter recorder
Lockable canopy
Initiative anti-extrusion system
Hydraulic oil cooler
Turntable control box
Flashing beacon
Solid rubber tires

POWER

Engine protection devices
Kubota Euro stage V emission
12V DC emergency power

OPTIONS

Tool tray
Platform working light
Foam-filled rough terrain tires
AC power to the platform
Platform anti-collision device



| Item | Unit | XGS32K |
|----------------------------------|------------|--------------|
| Working height | m | 32.6 |
| Platform height | m | 30.6 |
| Working radius | m | 20 |
| Lift capacity | kg | 300/460 |
| Occupant capacity | - | 3 |
| Boom luffing range | ° | -4~+73 |
| Fly jib luffing range | ° | -65~+70 |
| Turntable rotation | ° | 360 |
| Platform rotation | ° | 160 |
| Drive speed (retracted/extended) | km/h | 5.5/0.6 |
| Turning radius (inside/outside) | m | 4.4/6.25 |
| Tailswing | mm | 2030 |
| Ground clearance | mm | 400 |
| Gradeability | % | 45 |
| Tires | - | 15-625 |
| Power source | - | Kubota V2607 |
| Rated power | kW/(r/min) | 48/(2400) |
| Fuel tank | L | 180 |
| Hydraulic tank | L | 210 |
| Weight | kg | 18500 |
| Platform size | mm | 2400×900 |
| a Length (transportation) | mm | 13100/12110 |
| b Width | mm | 2490 |
| c Height | mm | 2920 |
| d Wheelbase | mm | 3000 |